

CITIZEN

CITIZEN®

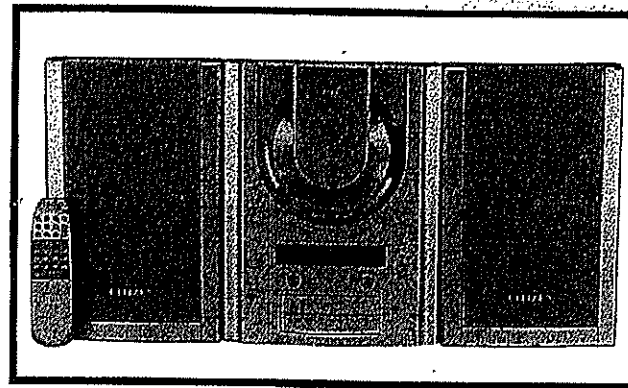
JS6228

VERTICAL CD MICRO SYSTEM

Operating Manual

Please save these instructions

Read these instructions carefully before using your CD micro system. If you follow these instructions, your CD micro system will provide you with many years of good service.



THE TOLL FREE CITIZEN HELPLINE IS 1-800-663-5954
CALL US IF YOU HAVE ANY PROBLEMS OR QUESTIONS
WITH YOUR NEW CITIZEN PRODUCT
9am - 5pm (TORONTO TIME) MONDAY TO FRIDAY

CITIZEN ELECTRONICS
TORONTO, CANADA



SAFETY INFORMATION & SYSTEM CARE

J56228

Safety Information and System Care

All safety and operating instructions should be read carefully before operating this micro system. Heed all warnings and follow the operating instructions to ensure your safety and many years of good service from your Citizen micro system. Be sure to save this Instruction Manual for future reference.

****CAUTION****
RISK OF ELECTRICAL SHOCK - DO NOT OPEN

<p>The lightning flash with arrowhead symbol, within an equilateral triangle, is intended to alert the user to the presence of uninsulated "dangerous voltage" within the product's enclosure that may be of sufficient magnitude to constitute a risk of electric shock to persons.</p>			<p>The exclamation point within an equilateral triangle is intended to alert the user to the presence of important operating and maintenance (service) instructions in the literature accompanying the appliance.</p>
------------------------------------------------------------------------------------------------------------------------------------------------------------------------------------------------------------------------------------------------------------------------------------------	-----------------------------------------------------------------------------------	-----------------------------------------------------------------------------------	-----------------------------------------------------------------------------------------------------------------------------------------------------------------------------------------------------------------------

Do Not Open The Cabinet

Do not attempt to service this micro system yourself as opening the cabinet or removing the cover may expose you to dangerous voltage or other hazards. There are no user-serviceable parts inside this product. Refer all servicing to qualified service personnel. This product employs a laser system that may radiate when the cabinet is opened or the interlocks are defeated. Do not stare into the laser beam. Never expose this unit to a liquid of any kind. Never insert any objects into the unit. If either one of these incidences were to accidentally happen, disconnect the micro system from the power outlet immediately and consult an authorized service depot.

Power Cord

This micro system is equipped with a polarized AC cord plug (one blade is wider than the other). Insert the AC cord plug directly into a standard 120V, 60Hz polarized AC outlet. To avoid safety hazards, we recommend that you do not connect this micro system to a power outlet via an extension cord. As with any electronic device, do not run the power cord under a carpet or heavy object. Doing so may damage the cord. Damaged power cords need to be replaced immediately by an authorized service depot with a cord meeting factory specifications. If the polarized AC cord does not fit into your non-polarized AC outlet, do not attempt to file or cut the blade. It is the user's responsibility to have an electrician replace the obsolete outlet. Never disconnect the power cord by pulling on the cord itself. Always grip the plug firmly to remove the cord.

Cleaning The Micro System

When cleaning the micro system, we recommend that you unplug the unit from the power outlet and wipe it with a clean, soft, dry cloth. If necessary, a soft, cloth dampened with a mild soapy water can be used. Be sure to wipe the micro system with a clean dry cloth when finished. NEVER use a liquid or aerosol cleaner with this product. NEVER use abrasive cleaners, benzene or any other alcohol based cleaning agent.

Unpacking And Proper Location

The carton and shipping materials used to protect your micro system during shipment were specially designed to cushion it from shock and vibration. We recommend that you save the carton and shipping materials to protect the unit should you move, or if the product require maintenance or repair. To ensure proper operation and to avoid the potential for safety hazards, place the unit on a firm, level surface. When placing your micro system on a shelf, be sure that the shelf and any mounting hardware can support the weight of the product. Do not place this product on an unstable cart, stand, table or any other similar, potentially dangerous surface. The slots in the cabinet provide ventilation and to ensure reliable operation, these openings must not be blocked or covered. Do not place this product in a rack or cabinet unless proper ventilation is provided. Your Citizen micro system should be situated away from any heat source such as radiators, heat registers, stoves or any other products that produce heat. When the unit is exposed to a rapid temperature change, let the system stand, unplugged for about an hour to avoid condensation complications. Do not operate this micro system near water. Operating this unit near a bath tub, sink, swimming pool, in a wet basement or in any other similar environment can compromise your safety and may damage your product.

Serviceing

Should your micro system require servicing, do not attempt to service it yourself. Refer all servicing to qualified service personnel. When replacement parts are required, ensure that the service technician uses parts specified by the manufacturer or those that have similar characteristics of the original part. Upon completion of any servicing, the technician to perform safety checks to determine that the unit is in proper operating condition.

TABLE OF CONTENTS

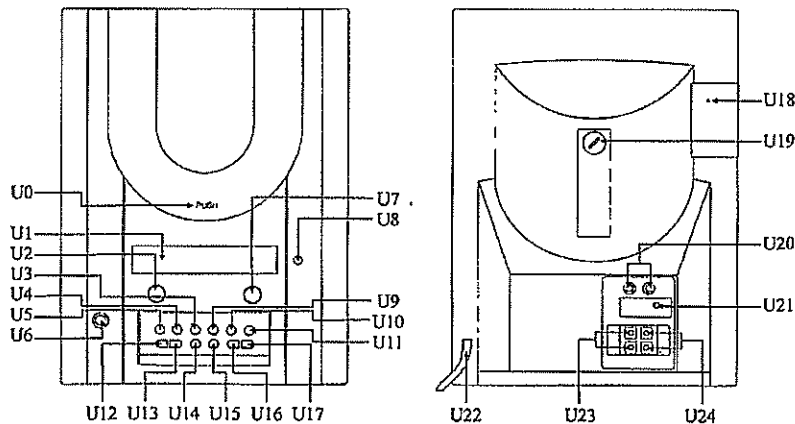
J56228

SAFETY INFORMATION & SYSTEM CARE.....	1
TABLE OF CONTENTS.....	2
MAIN UNIT CONTROLS.....	3
REMOTE CONTROL BUTTON LOCATION.....	4
DISPLAY INDICATORS.....	5
REMOTE CONTROL.....	6
BATTERY BACK-UP.....	6
CONNECTIONS	
CONNECTING THE SPEAKERS.....	7
LISTENING THROUGH HEADPHONES.....	7
CONNECTING AN OPTIONAL SUBWOOFER.....	8
CONNECTING AN ADDITIONAL AUDIO COMPONENT.....	8
GENERAL OPERATION.....	9
PRESET EQ.....	9
DEEP BASS.....	9
SETTING THE CLOCK.....	10
LISTENING TO THE RADIO.....	11
FM MODE (MONO/STEREO).....	11
PROGRAMMING PRESET RADIO STATIONS.....	12
PRESET RADIO STATION RECALL.....	12
BEFORE CD OPERATION.....	13
CD OPERATION.....	13
PROGRAM PLAY.....	14
REPEAT PLAY.....	14
RANDOM PLAY.....	15
INTRO PLAY.....	15
CHANGING THE DISPLAY.....	15
SETTING THE "ON" TIMER.....	16
SETTING THE "OFF" TIMER.....	17
SPECIFICATIONS.....	18
IN THE BOX.....	18
DIMENSIONS.....	18
WARRANTY.....	19

MAIN UNIT CONTROLS

J56228

- U0) PUSH: press here to open and close the CD door
- U1) LCD Display: shows clock, system information and indicators
- U2) POWER: turns the unit power *ON* and *OFF*
- U3) REPEAT M-UP: activates CD repeat function / browse through radio pre-sets
- U4) MEM CLOCK: used to set the clock time, radio pre-sets and CD track programming memories
- U5) TIMER: activates tuner *ON* and *OFF*
- U6) PHONES: connect headphones with a 3.5mm jack
- U7) EJECT: opens the hide-away control face
- U8) IR SENSOR: receives the signal from the remote control
- U9) AUX: to activate a connected audio component
- U10) TUNER BAND: activates the radio / switches AM/ FM band
- U11) CD: activates the CD player
- U12) VOL-: lowers the volume
- U13) VOL+: raises the volume
- U14) PLAY/PAUSE: press to play a CD / press again to temporarily stop playback
- U15) STOP: stops CD playback
- U16) ◀◀ SKIP: skips/searches backwards in CD, radio, clock and timer modes
- U17) ▶▶ SKIP: skips/searches forwards in CD, radio, clock and timer modes
- U18) FM Antenna: receives FM signals (not included)
- U19) Battery Compartment: insert one 9V battery for setting back-up
- U20) AUX In Jack: connect an audio component here (not included)
- U21) Subwoofer Output Jack: connect a subwoofer here (not included)
- U22) AC Power Cord: connect to a standard 120V, 60Hz outlet
- U23) R Speaker Jacks: connect the right speaker here
- U24) L Speaker Jacks: connect the left speaker here

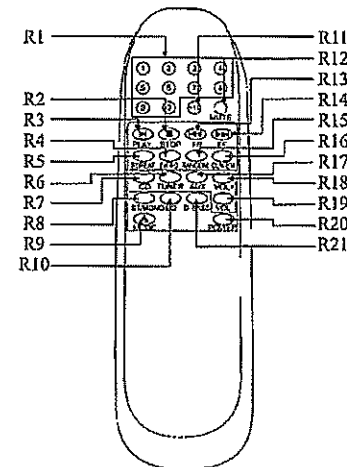


3

REMOTE CONTROL BUTTONS

J56228

- R1) 0-9 Numeric Buttons: press to select a specific CD track or radio station pre-set
- R2) STOP: stops CD playback
- R3) PLAY: press to play a CD / press again to temporarily stop playback
- R4) INTRO: pres to play the first few seconds of each CD track
- R5) REPEAT: activates CD repeat function / browse through radio pre-sets
- R6) TUNER: activates the radio / switches AM/ FM band
- R7) CD: activates the CD player
- R8) ST/MONO: selects FM and FM Stereo mode
- R9) MODE: changes information displayed
- R10) EQ: activates different pre-set EQ modes
- R11) +10: press before a single digit Numeric Button to select numbers greater than 9
- R12) MUTE: temporarily shuts of sound
- R13) FR: skips/searches backwards in CD, radio, clock and timer modes
- R14) FF: skips/searches forwards in CD, radio, clock and timer modes
- R15) RANDOM: activates random CD playback
- R16) CL/MEM: used to set the clock time, radio pre-sets and CD track programming memories
- R17) AUX: to activate a connected audio component
- R18) VOL+: raises the volume
- R19) VOL-: lowers the volume
- R20) POWER: turns the unit power *ON* and *OFF*
- R21) D-BASS: activates bass boost

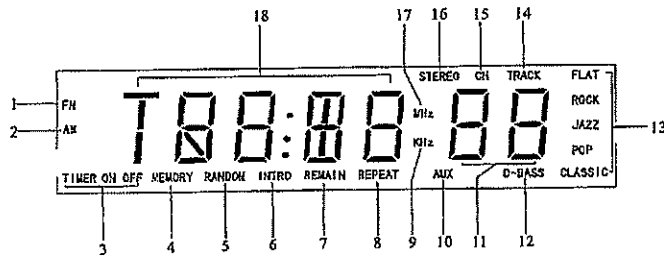


4

DISPLAY INDICATORS

J56228

- 1) FM: indicates FM band
- 2) AM: indicates AM band
- 3) TIMER ON OFF: indicates active and inactive timer
- 4) MEMORY: indicates CD programming
- 5) RANDOM: indicates random playback
- 6) INTRO: indicates intro mode playback
- 7) REMAIN: indicates total disk playback time remaining when that mode is selected with the MODE (9) button
- 8) REPEAT: flashes when in Repeat 1 mode / lights when Repeat/ALL mode.
- 9) KHz: indicates AM band
- 10) AUX: indicates an Auxiliary component is active
- 11) Track/Channel Digits: shows track or pre-set radio station number
- 12) D-BASS: indicates bass boost is ON
- 13) EQ Indicators: indicates what DSP mode is active
- 14) TRACK: indicates a CD track is displayed in the Track/Channel Digits (11)
- 15) CH: indicates a pre-set radio station is displayed in the Track/Channel Digits (11)
- 16) STEREO: indicates stereo reception is being received
- 17) MHz: indicates FM band
- 18) Time/Frequency Display: indicates CD disk total time / radio frequency



5

REMOTE CONTROL / BATTERY BACK-UP

J56228

REMOTE CONTROL

Inserting Batteries:

Before using the supplied Remote Control, insert two AA size batteries matching the polarity (+,-) to the marks on the inside of the battery compartment. Failure to do this may result in shorting out your Remote Control.

Replacing Batteries:

When you notice that the Remote Control is becoming weak or is operating sporadically, it is time to replace the batteries with new ones. Always replace both batteries at the same time. If you are not going to be using the Remote Control for an extended period of time, or if the batteries are dead, remove them to avoid possible corrosion. If battery leakage does occur, wipe the battery liquid from the battery compartment thoroughly and insert fresh batteries.

Remote Control Range:

The Remote Control is able to control the unit from approximately 8 meters away and in a range of about 30 degrees to each side. This can be affected by the amount of light in the room, battery strength and possible blockage between the Remote Control and sensor on the front panel of the player.

BATTERY BACK-UP:

To ensure time is not lost during a power failure, insert a 9V battery into the Battery Back-up Compartment (U19). Use a coin to turn the battery back-up compartment clip.

Notes:

- Please ensure that only fresh battery be inserted into the JS6228. This will reduce the risk of battery corrosion that may damage your alarm clock.
- During a power failure, the display will not function. The battery back-up only ensures that the correct time be restored upon restoration of power.

6

CONNECTIONS

(CONNECTING THE SPEAKERS
LISTENING THROUGH HEADPHONES)

JS6228

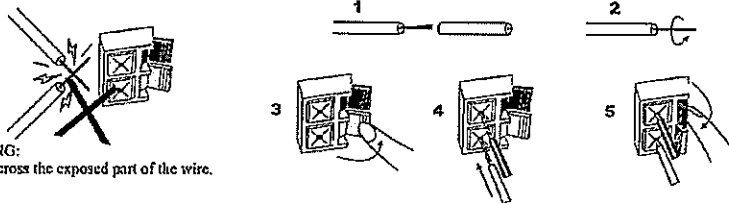
CONNECTING THE SPEAKERS

Both the JS6228 speakers are the same and it does not matter which one is used as the right or left speaker. When connecting the speakers, make note of which speaker will be on the left and which one on the right so that the proper connection is made.

1. Peel off approximately 1cm of cable insulation.
2. Twist the wire ends, tightening the threads.
3. Open each cable terminal by pressing down on the tabs.
4. Insert the black wire end fully into the black terminal. Insert the red wire fully into the red terminal.
5. Close each terminal by pulling back on the tab.
6. Ensure all of the wires are secure in the terminals.
7. It does not matter where the speakers are positioned in relationship to the main unit, however the farthest from the main unit they are, the better "imaging" will be produced.

Note:

- "Imaging" is the effect that is created by 2 separate channels of sound.



WARNING:
do NOT cross the exposed part of the wire.

LISTENING THROUGH HEADPHONES

1. Turn the volume down to the lowest level using the VOL- (U12)(R19) button.
2. Insert headphones (not included) with a 3.5mm jack into the Headphone jack (U6).
3. Gradually increase the volume control using the VOL+ (U13)(R18) button to the desired listening level.

Note:

- To avoid possible hearing damage, avoid excessive volume and prolonged listening periods through the headphones.

7

CONNECTIONS (CONTINUED...)

(CONNECTING AN OPTIONAL SUBWOOFER /
CONNECTING AN ADDITIONAL AUDIO COMPONENT)

JS6228

CONNECTING AN OPTIONAL SUBWOOFER

To increase the sound produced by the JS6228, connect an optional subwoofer.

The JS6228 will automatically send the low frequencies or bass to the connected subwoofer relieving stress from the speakers. This will increase the quality and power of the sound produced.

1. Using a single mini RCA audio cable, connect the optional subwoofer to the Subwoofer Jack (U21). Firmly attach the cable by pressing each end into the jacks completely.

Notes:

- Only connect an 8 ohm subwoofer.
- The JS6228 will automatically recognize that a subwoofer is connected and will send the bass signal to the sub automatically.
- You may make a connection with a regular RCA audio jack with a mini RCA connector.

CONNECTING AN ADDITIONAL AUDIO COMPONENT

If you would like to hear the audio from another audio or video component such as a cassette deck, MD player, DVD player, etc., you can use an RCA audio cable to connect it to the JS6228. (not included)

1. Using an RCA audio cable connect an audio component to the AUX Jack (U20). Firmly attach the cable by pressing each end into the jacks.
2. Play the connected component.
3. Press the AUX (U9)(R17) button to enable the sound from the connected component to play through the JS6228. The AUX (10) indicator will light on the LCD Display (U1).

8

**GENERAL OPERATION /
PRESET EQ / DEEP BASS**

JS6228

GENERAL OPERATION

After plugging the unit into a power outlet, the JS6228 will go into standby mode.

1. Press the POWER (U2)(R20) button to activate the unit.
2. Open the hide-away control face by pressing the EJECT (U7) button.
3. Adjust the volume using the VOL- (U12)(R19) and VOL+ (U13)(R18) buttons.
4. Press the MUTE (R12) button to temporarily turn off the sound. Press the MUTE button again to restore the sound.
5. Press the POWER button again to return the unit to standby mode.

PRESET EQ

DSP (Digital Signal Processing) recreates different sonic "environments," simulating the acoustics of the selected setting. Playing audio through a DSP mode can create a more vivid, life-like listening experience.

1. Press the EQ (R10) button repeatedly to cycle through FLAT - ROCK - JAZZ - POP - CLASSIC settings.

DEEP BASS

1. Press the D-BASS (R21) button to activate the deep bass boost function. This will increase the bass output. The D-BASS (12) indicator will light.

SETTING THE CLOCK

JS6228

SETTING THE CLOCK

The JS6228 must be in standby mode to set the clock. (the LCD display (U1) will not be lit)

1. Press the MEM CLOCK (U4) or CL/MEM (R16) button once. The hour digits will flash.
2. Using the |◀◀SKIP (U16) and ▶▶|SKIP (U17) or FR (R13) and FF (R14) buttons, adjust the time to the correct hour.
3. Press the MEM CLOCK (U4) or CL/MEM (R16) button again to select the minutes.
4. Using the |◀◀SKIP (U16) and ▶▶|SKIP (U17) or FR (R13) and FF (R14) buttons, adjust the time to the correct minute.
5. Press the MEM CLOCK (U4) or CL/MEM (R16) button to confirm the time. If no buttons are pressed after about 7 seconds, the time set function will be canceled.

**LISTENING TO THE RADIO /
FM MODE (MONO/STEREO)**

JS6228

LISTENING TO THE RADIO

1. With the system power on, press the TUNER BAND (U10)(R6) button.
2. Set the desired band (AM or FM) with the TUNER BAND (U10)(R6) button.
3. Press the **◀◀** SKIP (U16) and **▶▶** SKIP (U17) or FR (R13) and FF (R14) buttons to tune in increments of .20MHz for FM and 10KHz for AM.
4. To search automatically for a strong signal, press and hold down either the **◀◀** SKIP (U16) and **▶▶** SKIP (U17) or FR (R13) and FF (R14) buttons for one second and then release.

Notes:

- If an FM station is received by the JS6228 strong enough, the STEREO (16) indicator will light indicating stereo reception.
- Locating the unit near any electrical appliances may cause radio interference.
- For AM reception, the signals are picked up through a built-in ferrite antenna. Rotate the main unit to improve AM reception.

FM MODE (MONO/STEREO)

1. If an FM stereo is received in stereo but will not come in clearly, press the ST/MONO (R8) button to switch to MONO reception. You will lose the quality of a stereo FM station, but the sound will be clearer.
2. If the FM station is clear, press the ST/MONO (R8) button to switch back to STEREO reception to produce a richer, stereo sound.

Note:

- If an FM station is not received with a strong enough signal, you will be unable to use the ST/MONO function.

**PROGRAMMING PRESET RADIO
STATIONS / PRESET RADIO
STATION RECALL**

JS6228

PROGRAMMING PRESET RADIO STATIONS

- You can program up to 12 AM and 20 FM preset radio stations into the JS6228 memory for instant recall.
1. Tune in the desired station as in the previous section.
 2. Press the MEM CLOCK (U4) or CL/MEM (R16) button. "CH" (15) will light and "--" will begin to flash on the LCD display (U1).
 3. Using the Numeric Buttons (R1), key in the desired memory number.
 4. Press the MEM CLOCK (U4) or CL/MEM (R16) button again to lock in the station to that specified number.
 5. Repeat steps 1-4 until all of the desired stations are stored.

PRESET RADIO STATION RECALL

There are 2 methods of recalling favorite radio stations.

1. To recall a stored radio station directly, press the corresponding channel number using the Numeric Buttons (R1) buttons.
2. To scroll through all of the stored radio stations, press the REPEAT (U3)(R5) buttons continuously until the desired station is reached.

BEFORE CD OPERATION

1. With the system power on, press the CD (U11)(R7) button.
2. Open the CD door by pressing on the PUSH (U0) label on the CD door. Insert a CD into the CD compartment with the label side facing out. Close the CD door by pressing PUSH (U0) again.

Note:

This CD player is capable of playing CD, CD-R and CD-RW formats only. These discs must also be clean and scratch-free. If you have a disc with smudges on it, gently wipe the disc from the centre of the disc out, in a straight line. Use a dry, non-abrasive cloth only.

3. If the disc is a readable one, the LCD display (U1) will show the total CD playback time and the number of tracks on the disc. The CD player is now ready to begin playback.

CD OPERATION

4. To begin playback, press the PLAY/PAUSE (U14)(R3) button once.
5. To temporarily stop playback, press the PLAY/PAUSE (U14)(R3) button during playback, once. The track time will blink to indicate pause mode. Press the PLAY/PAUSE button again to continue playback.
6. To skip forward during playback, press the ►►|SKIP (U17) or FF (R14) button.
7. To search forward through the track being played, press and hold down the ►►|SKIP (U17) or FF (R14) button.
8. To return to the beginning of the track being played, press the ◀◀|SKIP (U16) or FR (R13) button once.
9. To skip to previous tracks on a CD, press the ◀◀|SKIP (U16) or FR (R13) button repeatedly.
10. To search back through the track being played, press and hold down the ◀◀|SKIP (U16) or FR (R13) button.
11. To stop playback, press the STOP (U15)(R2) button.

PROGRAM PLAY

The JS6228 is capable of storing a custom order of up to 16 CD tracks.

1. Make sure the CD player is in stop mode by pressing the STOP (U15)(R2) button.
2. Press the MEM CLOCK (U4) or CL/MEM (R16) button to enter the CD player into program mode. The MEMORY (4) indicator will light.
3. Select the first desired track using the ◀◀|SKIP (U16) and ►►|SKIP (U17) or FR (R13) and FF (R14) buttons.
4. When the desired track number is displayed, press the MEM CLOCK (U4) or CL/MEM (R16) button again to lock in the selection.

Note:

Once a track is locked in as a selection, it can not be removed. You must start the list again.

5. Repeat steps 3-4 to enter additional tracks until your list is complete or you have reached the maximum 16 selections.
6. When your play list is complete, press PLAY/PAUSE (U14)(R3) to begin playback.
7. To clear the memory or start the list again;
 - press the STOP (U15)(R2) button twice.
 - Open the CD door.
 - press the POWER (U2)(R20) button.

The MEMORY (4) indicator will not appear on the display when the programming function is canceled.

REPEAT PLAY

1. To continuously play a single track repeatedly, select the desired track and press the REPEAT (U3)(R5) button once. REPEAT (8) will flash on the display. Press the REPEAT button twice more to return to normal play.
2. To continuously play the entire CD repeatedly, press the REPEAT (U3)(R5) button twice. REPEAT (7) will be displayed. Press the REPEAT button once more to return to normal play.

RANDOM PLAY

1. To play all of the tracks on a CD randomly, press the RANDOM (R15) button. RANDOM (5) will appear on the display.
2. Press the PLAY / PAUSE (U14)(R3) button to begin playback.
3. To cancel random playback, press RANDOM or the STOP button twice.

INTRO PLAY

1. To play the first 10 seconds of each track, press the INTRO (R4) button. INTRO (6) will appear on the display.
2. Press the PLAY / PAUSE (U14)(R3) button to begin playback.
3. To cancel Intro play, press INTRO or the STOP button twice.

CHANGING THE DISPLAY

The information displayed on the LCD display (U1) can be changed by pressing the MODE (R9) button.

In Radio Mode:

Press the MODE (R9) button repeatedly to change the display to:
CURRENT RADIO STATION - CLOCK - TIMER ON TIME - TIMER OFF TIME

In CD Mode:

In stop mode, press the MODE (R9) button repeatedly to change the display to:
TOTAL DISC PLAYBACK TIME - CLOCK - TIMER ON TIME - TIMER OFF TIME

While playing a disc, press the MODE (R9) button repeatedly to change the display to:
CURRENT TRACK TIME - TOTAL DISC TIME REMAINING - CLOCK - TIMER ON TIME - TIMER OFF TIME

In Program play mode, press the MODE (R9) button repeatedly to change the display to:
CURRENT TRACK TIME - CLOCK - TIMER ON TIME - TIMER OFF TIME

In AUX or Standby mode, press the MODE (R9) button repeatedly to change the display to:
LINE - CLOCK - TIMER ON TIME - TIMER OFF TIME

Note:

- Before using the timer, make sure that the clock is set to the correct time.

SETTING THE RADIO ON TIMER

1. Press MODE (R9) repeatedly until TIMER ON (3) is displayed and flashes on the LCD display (U1).
2. Press the MEM CLOCK (U4) or CL/MEM (R16) button. The *hours* portion of the time will flash.
3. Using the ◀◀SKIP (U16) and ▶▶SKIP (U17) or FR (R13) and FF (R14) buttons, set the hours portion of the time that you want the radio to turn on at.
4. Press the MEM CLOCK (U4) or CL/MEM (R16) button. The *minutes* of the time will flash.
5. Using the ◀◀SKIP (U16) and ▶▶SKIP (U17) or FR (R13) and FF (R14) buttons, set the minutes portion of the time that you want the radio to turn on at.
6. Press the MEM CLOCK (U4) or CL/MEM (R16) button again to activate the on timer function. The TIMER ON (3) indicator will light.
7. Ensuring the radio was the last function listened to, turn *OFF* the unit by pressing the POWER (U2)(R20) button.

SETTING THE CD ON TIMER

1. Insert a CD into the CD compartment.
2. Follow steps 2-6 from the SETTING THE RADIO ON TIMER above.
3. Ensuring the CD was the last function listened to, turn *OFF* the unit by pressing the POWER (U2)(R20) button.

SETTING THE RADIO OFF TIMER

1. Press MODE (R9) repeatedly until TIMER OFF (3) is displayed on the LCD display (U1).
2. Press the MEM CLOCK (U4) or CL/MEM (R16) button. The *hours* portion of the time will flash.
3. Using the **◀◀** SKIP (U16) and **▶▶** SKIP (U17) or FR (R13) and FF (R14) buttons, set the hours portion of the time that you want the radio to turn off at.
4. Press the MEM CLOCK (U4) or CL/MEM (R16) button. The *minutes* of the time will flash.
5. Using the **◀◀** SKIP (U16) and **▶▶** SKIP (U17) or FR (R13) and FF (R14) buttons, set the minutes portion of the time that you want the radio to turn off at.
6. Press the MEM CLOCK (U4) or CL/MEM (R16) button again to activate the off timer function. The TIMER OFF (3) indicator will light.

TURNING THE TIMER OFF

1. Press MODE (R9) repeatedly until TIMER ON or OFF (3) is displayed on the LCD display (1).
2. Press the TIMER (U5) button once to shut off the timer function.
3. Press MODE (R9) repeatedly until the clock is displayed. Notice that the "ON" portion of the TIMER (3) is not displayed.

SPECIFICATIONS	
Power supply	AC 120V, 60 Hz
Power consumption	65W
Output power	2 x 10W RMS
Speaker impedance	4 ohm
Radio frequency range	AM: 520 - 1710KHz. FM: 87.9 - 107.9MHz.
CD frequency response (-3dB)	30-16000Hz
CD signal-to-noise ratio	60dB
CD harmonic distortion	0.2%
CD channel separation	40dB

IN THE BOX	
Main unit	1
Remote Control	1
Speakers	2
Instruction manual	1

DIMENSIONS	
Main unit (mm)	W220 x D120 x H285 (W8.7" x D4.7" x H11.2")
Speaker cabinet (mm)	W180 x D120 x H285 (W7.1" x D4.7" x H11.2")

CITIZEN

Citizen Warranty Certificate (Canada) - 2003

CITIZEN MICRO SYSTEM LIMITED WARRANTY

We appreciate your purchase of a Citizen micro system. We take pride in the quality of our products and have manufactured your product to exacting quality standards. We feel confident that, in normal use, it will provide you with satisfactory performance. Citizen micro systems, if proven defective upon our inspection, are warranted against manufacturing defects in materials and workmanship, in normal use, for the following periods from the date of purchase by the original retail purchaser in an unused condition. This warranty is conditional upon the unit being installed and used as directed in the instruction manual. Service for your Citizen micro system can be obtained at the Citizen service depot listed at the bottom of this certificate or at any of the authorized service depots listed at www.citizen-electronics.com

CITIZEN JS6228, CD MICRO SYSTEM: 1 YEAR PARTS / 1 YEAR LABOUR (carry-in service)

CITIZEN ELECTRONICS OBLIGATIONS

Citizen Electronics obligation under this warranty shall be limited to the repair, including all necessary parts and the cost of shop labour connected therewith, or at our option, the exchange of any audio product that shows evidence of a manufacturing defect within the warranty period. Replacement parts furnished in connection with this warranty shall be warranted for a period equal to the unexpired portion of the original equipment warranty.

WARRANTY EXCLUSION

This warranty is extended to Citizen micro systems purchased in Canada and distributed through Citizen Electronics and its dealer network. This warranty shall not apply to appearance or accessory items including, but not limited to antenna, cabinet parts, knobs, batteries and connecting cables. This warranty shall, in addition, not apply to customer adjustments that are covered in the instruction book; damages due to handling, transportation, unpacking, set-up, installation, repair or replacement of parts supplied by other than Citizen Electronics; or any malfunction or failure caused by abnormal environmental conditions, improper unauthorized service, improper maintenance, modifications or repair by the consumer, abuse, misuse, neglect, accident, incorrect in line voltage, interference. This micro system is only warranted to the original retail purchaser or gift recipient. This warranty becomes void in the event of commercial or rental use. The warranty in this case shall be limited to 30 days parts and labour (An optional extended warranty on products used for commercial purposes may be available. Contact us for further information.) This warranty becomes void in the event serial numbers are altered, defaced, or removed. Citizen Electronics reserves the right to make changes in design and/or to make additions to or improvements upon this product, without incurring any obligation to install the same on products previously manufactured. The foregoing is in lieu of all other warranties expressed or implied. In no event shall Citizen Electronics or its dealers be liable for special or consequential damages arising from the use of this product, or for any delay in performance of this warranty due to cause beyond our control. The purchaser may have other rights under existing provincial or federal laws, and where such laws prohibit any terms of this warranty, they are deemed null and void, but the remainder of the warranty shall remain in effect.

CUSTOMER OBLIGATIONS

The dealers original, dated bill-of-sale should be retained as proof of purchase and must be presented, together with this warranty certificate to Citizen Electronics or to the Authorized Repair Centre when this product is to be serviced under the provisions of this warranty. Transportation to and from the service centre is the responsibility of the owner. Warranty service is available only in Canada.

HOW TO OBTAIN WARRANTY SERVICE

Should this product require warranty service, you may obtain specific information on how to obtain warranty service by contacting us directly between 9:00AM-5:00PM, (Toronto time) Monday to Friday.

Date Purchased: _____

Serial Number: _____

CITIZEN ELECTRONICS
455 GORDON BAKER ROAD, TORONTO, ONTARIO M2H 4H2
(416) 499-5449 / 1-800-663-5954
www.citizen-electronics.com